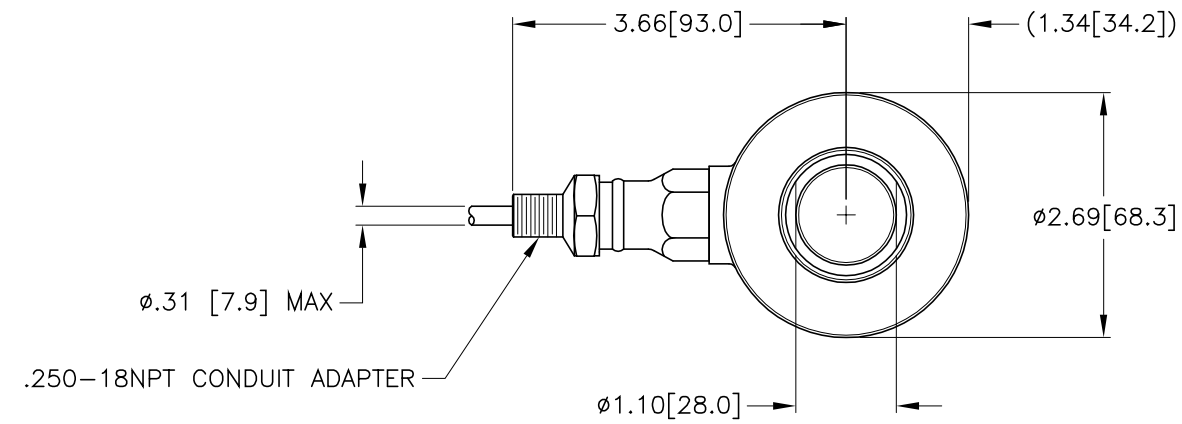


REV.	ECO/DDC	DESCRIPTION	DATE	DRAFT	CHECK	APV'D
A	08107	RELEASED	07-09-01	L.B.O.	S.N.	V.J.C.
B	09668	REVISED PER ECN.	09-17-07	T.N.	V.J.C.	T.N.



CAPACITY LBS [T]	MODEL NUMBER	PART NUMBER
16.5K [7.5]	HI RCH04-16.5K	0554-0021-03
33K [15]	HI RCH04-33K	0554-0021-01
50K [22.5]	HI RCH04-50K	0554-0021-02

- LOAD SENSOR IS STAINLESS STEEL 17-4PH (1.4548).
- CABLE IS 6 CONDUCTOR, SHIELDED AND 30 FT. IN LENGTH. CABLE SHIELD IS FLOATING.
- C2 WIRE COLOR CODE FLAG LABEL, PN 0530-0594, TO BE LOCATED APPROX. 10 IN. FROM END OF CABLE.

EXCITATION +	RED
EXCITATION -	BLACK
SIGNAL +	GREEN
SIGNAL -	WHITE
C2 +	GRAY
C2 -	VIOLET
SHIELD	YELLOW

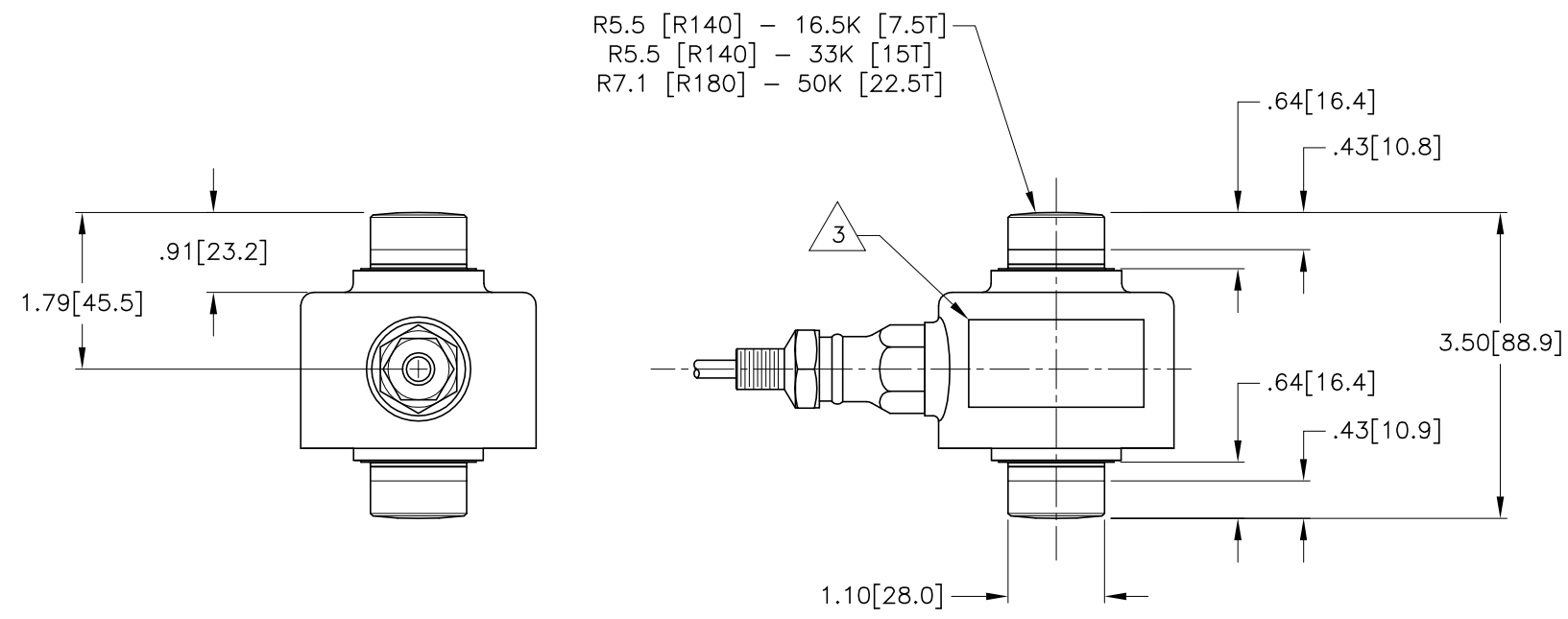
- CABLE WIRE ENDS ARE STRIPPED BACK 0.5 IN. AND TINNED. CABLE JACKET IS STRIPPED BACK APPROX. 5 IN.

3 LOCATION OF MODEL/SERIAL NUMBER LABEL, PN 0530-0605-XX.

- THIS DRAWING IS SUBJECT TO CHANGE WITHOUT NOTICE.

- RATED OUTPUT: 2mV/V ±0.002.

NOTES: UNLESS OTHERWISE SPECIFIED



ITEM	QTY	PART NUMBER	DESCRIPTION	COMMENTS								
		0588-0088	OUTLINE DRAWING, LOAD SENSOR, HI RCH04 SERIES									
PARTS LIST												
UNLESS OTHERWISE SPECIFIED DIMENSIONS ARE IN INCHES [MM]		CONTRACT NO.										
TOLERANCES ARE: DECIMALS: .XX AND .XXX = ±.015 [.40] ANGLES: N/A		APPROVALS										
MATERIAL		DRAWN V. CHULA	DATE 05-09-00	 <b>TITLE</b> <b>OUTLINE DRAWING, LOAD SENSOR, HI RCH04 SERIES</b>								
FINISH		CHECKED L. OFTEDAHL	DATE 05-12-00									
DO NOT SCALE DRAWING		APPROVED T. KOPCZYNSKI	DATE 05-15-00									
		ISSUED K. McNULTY	DATE 05-15-00									
		PRODUCTION	DATE	<table border="1" style="width: 100%;"> <tr> <td>SIZE</td> <td>FSCM</td> <td>DRAWING NO.</td> <td>REV.</td> </tr> <tr> <td>D</td> <td>21316</td> <td>0588-0088</td> <td>B</td> </tr> </table>	SIZE	FSCM	DRAWING NO.	REV.	D	21316	0588-0088	B
SIZE	FSCM	DRAWING NO.	REV.									
D	21316	0588-0088	B									
		FILE NAME: 588088B1.DWG		SCALE: NONE								
		SHEET 1 OF 1										

**PROPRIETARY NOTICE**  
 ALL DATA AND INFORMATION CONTAINED IN OR DISCLOSED BY THIS DOCUMENT IS CONFIDENTIAL AND PROPRIETARY INFORMATION OF HARDY INSTRUMENTS INC. AND ALL RIGHTS THEREIN ARE EXPRESSLY RESERVED. BY ACCEPTING THIS MATERIAL THE RECIPIENT AGREES THAT THIS MATERIAL AND THE INFORMATION CONTAINED THEREIN IS HELD IN CONFIDENCE AND IN TRUST AND SHALL NOT BE USED, COPIED, REPRODUCED IN WHOLE OR IN PART, NOR ITS CONTENTS REVEALED IN ANY MANNER TO OTHERS, EXCEPT TO MEET THE SPECIFIC PURPOSE FOR WHICH IT WAS DELIVERED.